

Three Phase Inverter

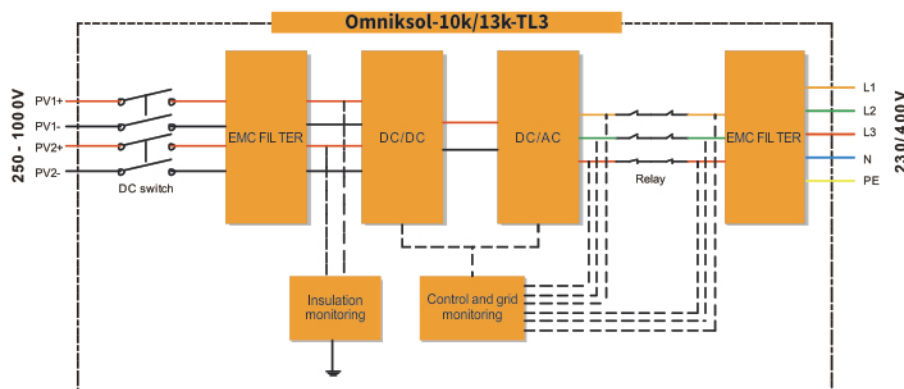
Omniksol-10k/13k-TL3



product features

【Features】	【Advantages】	【Benefits】
·5-25 years warranty as optional	·Guaranteed product quality	·Guaranteed customer benefits
·Built-in GPRS module as optional	·Plug and play	·Remote monitoring without setting
·Built-in WiFi module as optional	·Free monitoring fee for data transmission	·Remote monitoring without any charge
·Circuit design based on temperature gradient	·Lower internal temperature	·Longer life cycle
·Smaller and lighter, only 27 kg	·Easy transportation and installation	·Saving storage and installation space
·Meet VDE AR-N-4105 certification	·Adjustable active and reactive power	·Meet the latest regulations
·High performance DSP for algorithm control	·Faster CPU speed	·Higher inverter control accuracy
·Dual MPPT design	·More flexible system design	·Fit in various installation environments
·New topology design	·Max. efficiency 98.0%, Euro efficiency 97.5%	·Increase system payback ability
·Multi-button touch interface	·User friendly operation	·Easy to operate
·Power supply from AC side	·Query the state of inverter at night	·Real-time data readable for 24 hours
·Anti-shadow function	·Suitable to complex installation environment	·Increase the electricity generation of the system in shading environment

Block Diagram



Technical Data

Omniksol-10k/13k-TL3

Type	Omniksol-10k-TL3	Omniksol-13k-TL3
Input(DC)		
Max. PV Module Power [W]	12000	15600
Max. DC Voltage [V]	1000	1000
Nominal DC Voltage [V]	640	640
Operating MPPT Voltage Range [V]	150 - 850	150 - 850
MPPT Voltage Range at Nominal	350 - 800	450 - 800
Start up DC Voltage [V]	200	200
Turn off DC Voltage [V]	150	150
Max. DC Current[A]	A:20 / B:10	A:20 / B:10
Max. Short Circuit Current [A]	A:24 / B:12	A:24 / B:12
Number of MPP trackers	A:1 / B:1	A:1 / B:1
Number of DC Connection	A:2 / B:1	A:2 / B:1
DC Connection Type	MC4 Connector	MC4 Connector
Output(AC)		
Max. AC Appaeent Power [VA]	11000	14500
Nominal AC Power [W]	10000	13000
Nominal Grid Voltage [V]	3/N/PE;220/380	3/N/PE;220/380
	3/N/PE;230/400	3/N/PE;230/400
	3/N/PE;240/415	3/N/PE;240/415
Nominal Grid Frequency [Hz]	50 / 60	50 / 60
Max. AC Current [A]	17	22
Grid Voltage Range [V]*	185 - 276	185 - 276
Grid Frequency Range [Hz]*	45 - 55 / 55 - 65	45 - 55 / 55 - 65
Power Factor	0.9i - 0.9c	0.9i - 0.9c
Total Harmonic Distortion (THD)	<3%	<3%
Night time Power Consumption [W]	<1	<1
AC Connection Type	Plug-in connector	Plug-in connector
Efficiency		
Max. Efficiency	98.0%	98.0%
Euro Efficiency	97.5%	97.5%
MPPT Efficiency	99.9%	99.9%
Safety and Protection		
DC Insulation Monitoring	Yes	
DC Switch	Optional	
Residual Current Monitoring Unit (RCMU)	Integrated	
Grid Monitoring with Anti-islanding	Yes	
Protection Class	I (According to IEC 62103)	
Overvoltage Category	PV II / Mains III (According to IEC 62109-1)	
Reference Standard		
Safety Standard	EN 62109 ,AS/NZS 3100	
EMC Standard	EN 61000-6-1,EN61000-6-3,EN 61000-6-2,EN61000-6-4,EN61000-3-11,EN 61000-3-12 VDE-AR-N 4105,VDE 0126-1-1,C10/11,G59/3,UTE C 15-721-1,AS4777,CEI 0-21,	
Grid Standard	EN50438,NB/T32004	
Physical Structure		
Dimensions (WxHxD) [mm]	428 * 430 * 187	
Weight [kg]	27	
Environmental Protection Rating	IP 65 (According to IEC 60529)	
Cooling Concept	Natural convection	
Mounting Information	Wall bracket	
General Data		
Operating Temperature Range [°C]	-25 to +60 (derating above 45°C)	
Relative Humidity	0% to 100%,no condensation	
Max. Altitude (above sea level) [m]	2000	
Noise Level [dB]	<40	
Isolation Type	Transformerless	
Display	3 LED,Backlight,4 * 20 Character LCD	
Data Communication Interfaces	RS485 / WiFi / GPRS optional	
Guarantee	5 - 25 years optional	

*The AC voltage and frequency range may vary depending on specific country grid